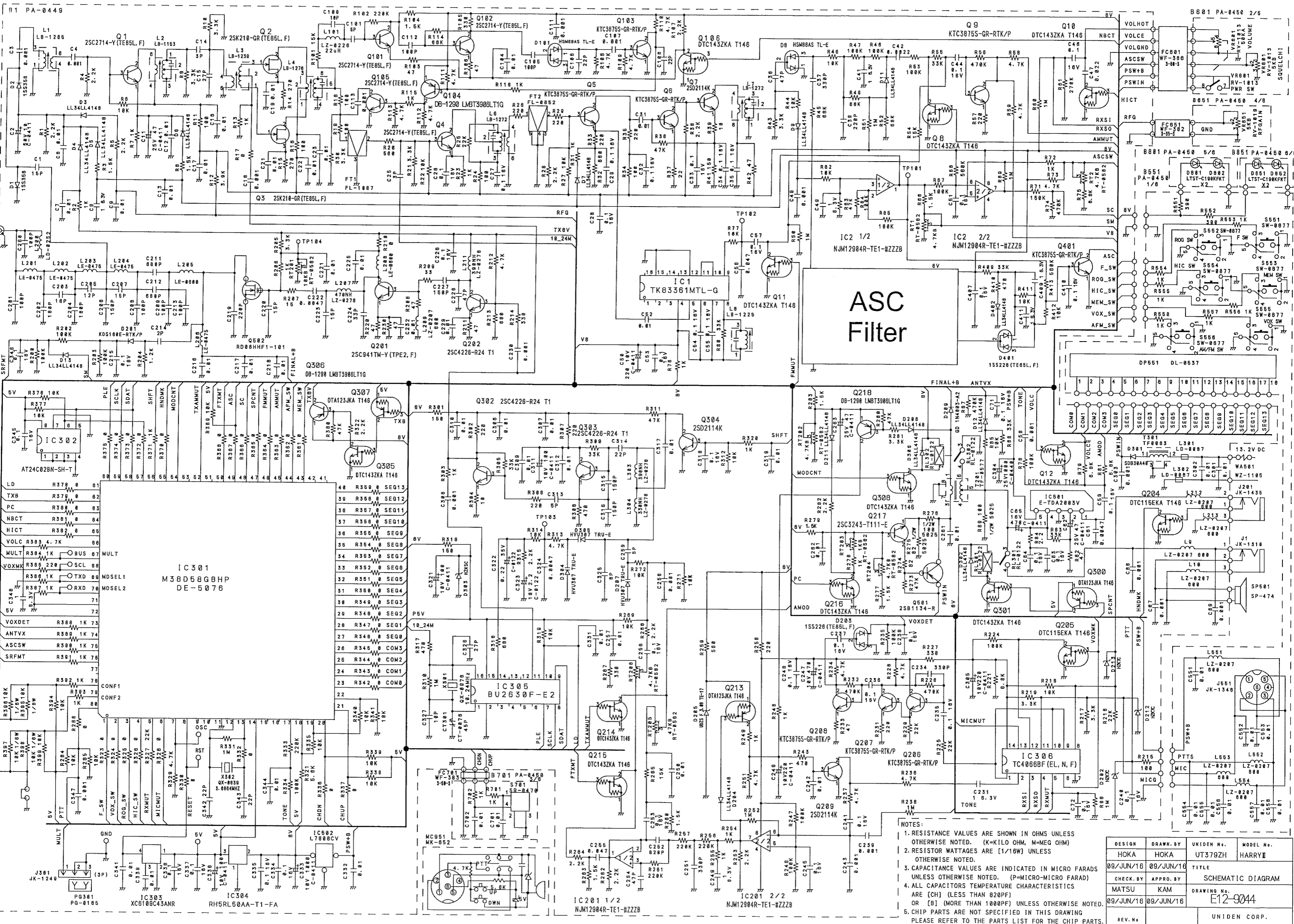


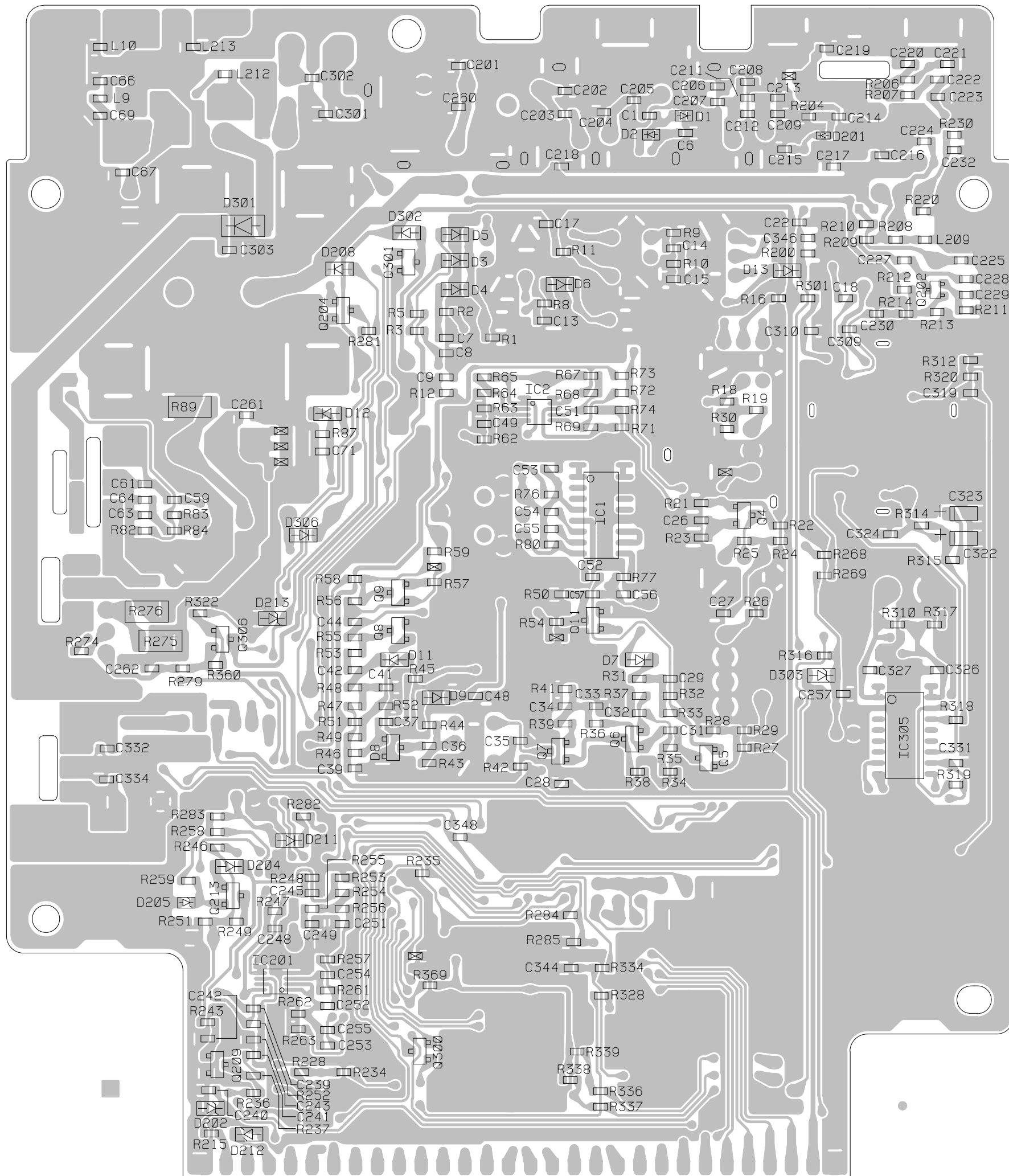
HARRY III



- NOTES:
1. RESISTANCE VALUES ARE SHOWN IN OHMS UNLESS OTHERWISE NOTED. (K=KILO OHM, M=MEG OHM)
 2. RESISTOR WATTAGES ARE [1/16W] UNLESS OTHERWISE NOTED.
 3. CAPACITANCE VALUES ARE INDICATED IN MICRO FARADS UNLESS OTHERWISE NOTED. (P=MICRO-MICRO FARAD)
 4. ALL CAPACITORS TEMPERATURE CHARACTERISTICS ARE [CH] (LESS THAN 820PF) OR [B] (MORE THAN 1000PF) UNLESS OTHERWISE NOTED.
 5. CHIP PARTS ARE NOT SPECIFIED IN THIS DRAWING PLEASE REFER TO THE PARTS LIST FOR THE CHIP PARTS.

| | | | |
|-----------|-----------|-------------------|-----------|
| DESIGN | DRAWN BY | UNIDEN No. | MODEL No. |
| HOKA | HOKA | UT379ZH | HARRYII |
| CHECK BY | APPROV BY | TITLE | |
| MATSU | KAM | SCHEMATIC DIAGRAM | |
| 09/JUN/16 | 09/JUN/16 | DRAWING No. | |
| | | E12-9044 | |
| REV. No | | UNIDEN CORP. | |

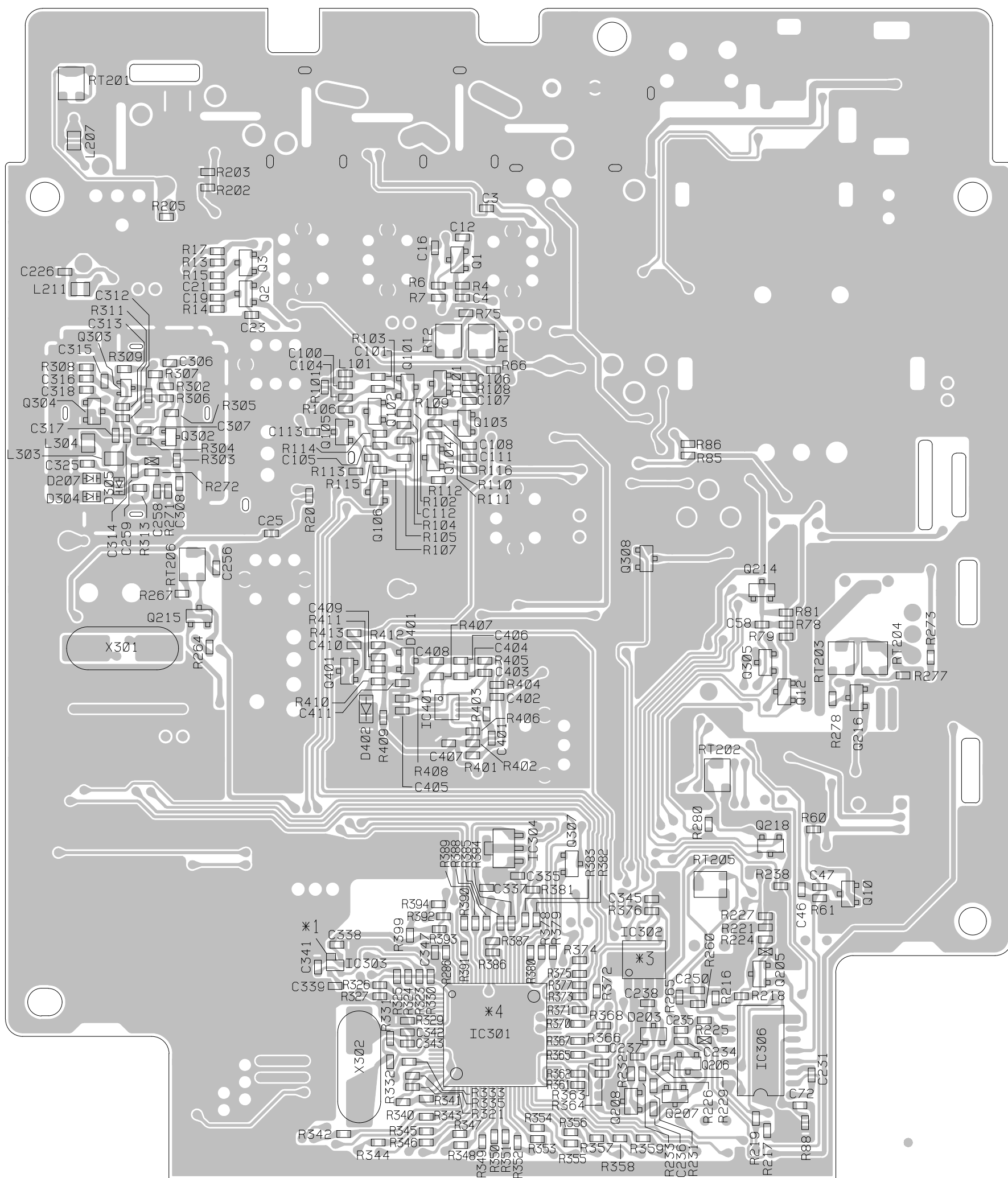
B1 PA-449AA (BOTTOM VIEW) USE Pb FREE SOLDER



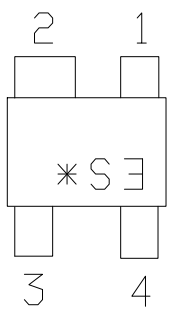
| | | | |
|------------|-----------|-------------------------|--------------|
| DESIGN. BY | DRAWN. BY | UNIDEN NO. | MODEL NO. |
| HOKA | HOKA | UT379ZH | HARRY III |
| 09/06/16 | 09/06/16 | TITLE | MAIN PCB 1/2 |
| CHECK. BY | APPRO. BY | CHIP LAYOUT BOTTOM VIEW | |
| MATSU | KAM | DRAWING NO. | |
| 09/06/16 | 09/06/16 | E23-29466 | |
| REV. NO. | | UNIDEN CORP. | |

B1 P.A-449AA (TOP VIEW)

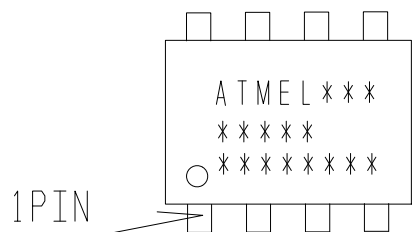
USE Pb FREE SOLDER



*1 IC303 PIN POSITION *3 IC302 MARKING & 1 PIN POSITION



*2 ALL CHIP INDUCTOR HAS NO DIRECTION



*4 INSTALL IC301 AFTER PROGRAMMING

| | | | |
|------------|-----------|----------------------|--------------|
| DESIGN. BY | DRAWN. BY | UNIDEN NO. | MODEL NO. |
| HOKA | HOKA | UT379ZH | HARRY III |
| 09/06/16 | 09/06/16 | TITLE | MAIN PCB 1/2 |
| CHECK. BY | APPRO. BY | CHIP LAYOUT TOP VIEW | |
| MATSU | KAM | DRAWING NO. | |
| 09/06/16 | 09/06/16 | E23-29463 | |
| REV. NO. | | UNIDEN CORP. | |